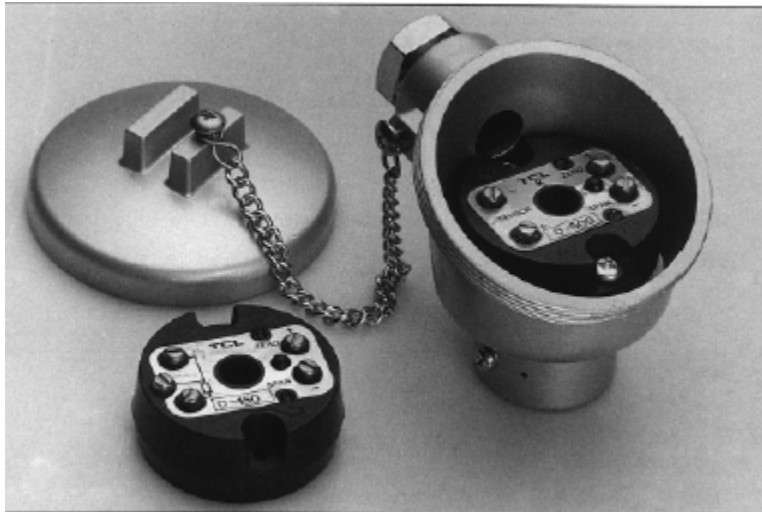


# **TCX/PTX-0 Series**

## **HEAD MOUNTING THERMOCOUPLE AND PT100 TRANSMITTERS**



### **■ FEATURES**

- **Mounts into standard ANSI style head**
- **2-wire DC supply configuration with 4-20mA output**
- **Linear and non-linear outputs available**
- **Proven reliability at low cost**



**■ STANDARD SPECIFICATIONS**

<b>Input</b>	:	<b>Thermocouple J, K, N, T, R, S, B or Pt100 (DIN 43760 or JIS)</b>
<b>Output</b>	:	<b>4-20mA DC</b>
<b>Min. Output Current</b>	:	<b>35 mA</b>
<b>Voltage Supply</b>	:	<b>12V (min) - 36V (max)</b>
<b>Voltage Supply Effect</b>	:	<b>0,001% of span/V</b>
<b>Open Input Detection</b>	:	<b>Upscale 22mA min. 30mA max (Current limited) Downscale 3,5mA max</b>
<b>Load Resistance</b>	:	<b>R 'L' max = (V-12)/ 25mA Up to 500 <math>\Omega</math> at 24V DC</b>
<b>Response Time</b>	:	<b>250mSec to within 0,1% of final output</b>
<b>Error</b>	:	<b><u>Thermocouple</u>: 0,2% of span <u>PT100</u>: Standard Grade; 0.2% of span : Premium grade; 0,1% of span</b>
<b>Linearity</b>	:	<b><u>Thermocouple</u>: Standard Grade: Better than 0,5% Premium grade: Better than 0,2% (R + S Inputs only above 250 °C) (B Input only above 600 °C) <u>PT100</u>: Standard Grade: Better than 0,1% Premium grade: Better than 0,1%</b>
<b>Drift</b>	:	<b><u>Thermocouple</u>: 0,03%/ °C <u>PT100</u>: Standard Grade; 0.03%/ °C : Premium grade; 0.01%/ °C</b>
<b>Reverse Polarity protection</b>	:	<b>Included as Standard</b>
<b>Power Indication</b>	:	<b>Red LED</b>

**\*Improved linearization is available over restricted ranges to special order.**





**■ MODEL NUMBER CODE**

MODEL	SUFFIX CODE				DESCRIPTION	
TCX TCXL PTX3 PTXL3	-	□	□	□-	□	THERMOCOUPLE INPUT-NON-LINEARISED THERMOCOUPLE INPUT-LINEARISED 3-WIRE PT100 INPUT-NON-LINEARISED 3-WIRE PT100 INPUT-LINEARISED
STYLE	0					HOCKEY PUCK TO SUIT ANSI HEAD
OUTPUT	0					4-20 mA
INPUT				J K N T R S B P		THERMOCOUPLE TYPE J THERMOCOUPLE TYPE K THERMOCOUPLE TYPE N THERMOCOUPLE TYPE T THERMOCOUPLE TYPE R THERMOCOUPLE TYPE S THERMOCOUPLE TYPE B RTD TYPE PT100
OPTION				A ( )		PREMIUM GRADE STANDARD GRADE

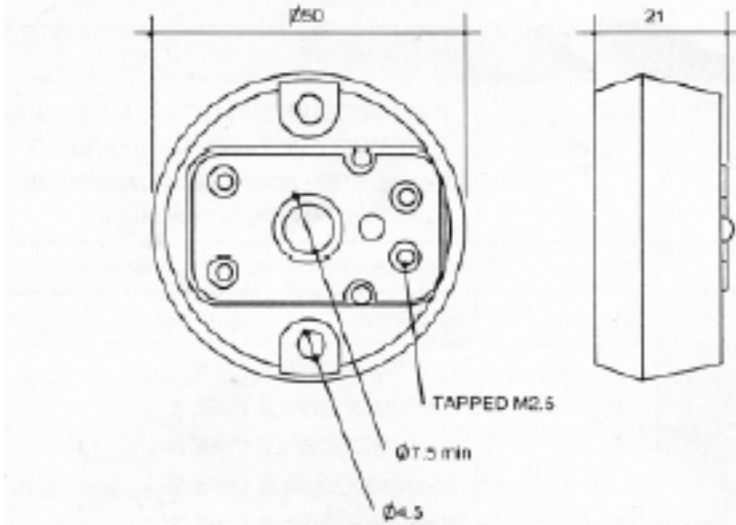
**■ STANDARD SCALE RANGES**

INPUT	TYPE	RANGE (°C)			
THERMOCOUPLE	J	0-100 0-500	0-200 0-600	0-300 0-800	0-400
	K+N	0-200 0-600	0-300 0-800	0-400 0-1000	0-500 0-1200
	T	-100/+100 0-300	0-100 0-400	0-200	
	R,S+B	0-1200	0-1400	0-1600	
RTD	PT100	-100/+100 0-60 0-300	-50/+50 0-100 0-400	-25/+25 0-150	0-200

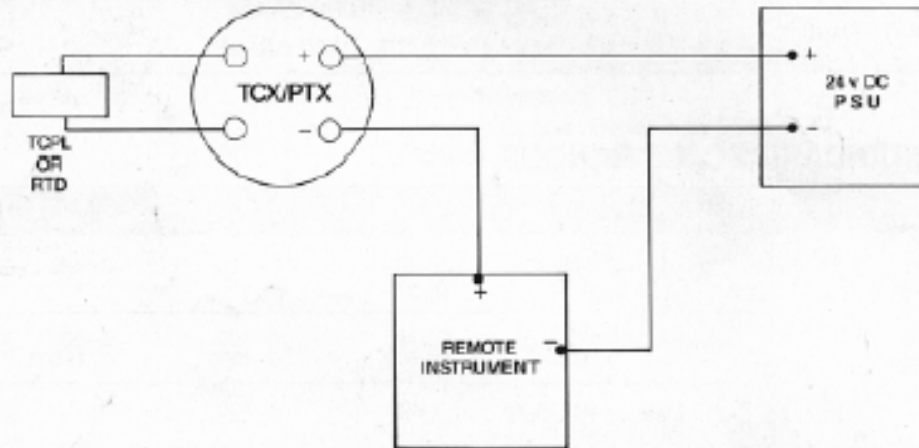
\* **Special Ranges and Inputs available upon request**  
**Please Consult your nearest Sales Office**



## ■ DIMENSIONS (Unit : mm)



## ■ TYPICAL CONNECTION DIAGRAM



## ■ REPRESENTED BY: