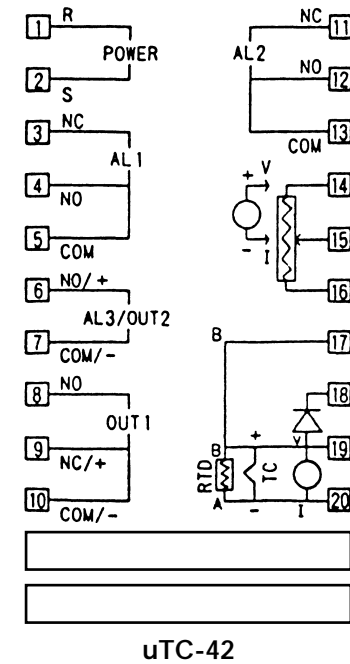
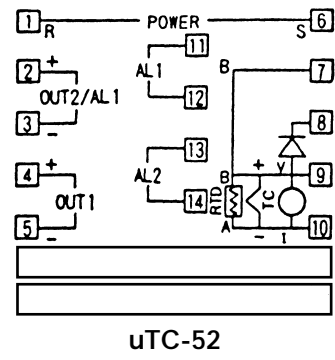
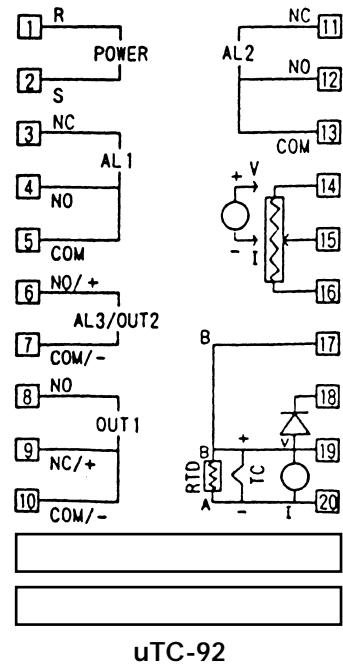
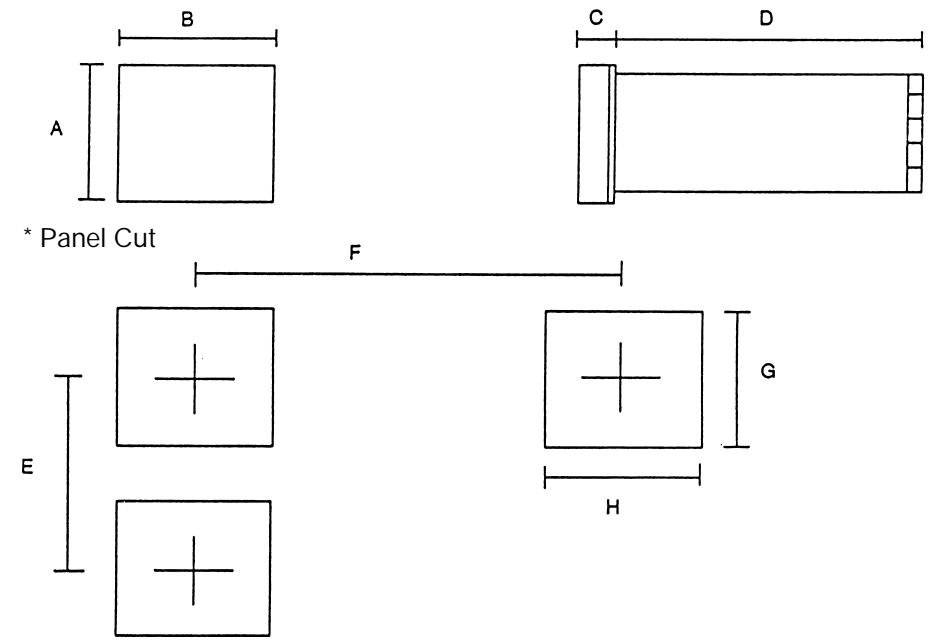


## WIRING DETAILS



## PHYSICAL DIMENSIONS



Model No.	A	B	C	D	E	F	G	H
uTC-92	96	96	15	100	125	110	92	92
uTC-52	48	48	15	100	80	65	46	46
uTC-42	96	48	15	100	125	65	92	46

## uTC Series

# DIN SIZE MICRO PROCESSOR BASED DIGITAL TEMPERATURE & PROCESS CONTROLLERS



- MULTIPLE INPUT SELECTION**  
 56 input selections  
 Thermocouple, RTD, voltage and current
- MULTIPLE CONTROL FUNCTIONS**  
 On-Off, P, PI, PD, PID, PID Auto-Tune, PID Auto-Tune with Fuzzy Logic
- MULTIPLE ALARM CONFIGURATION**  
 Maximum three alarms can be fitted and configured to operate in 17 different modes.
- PLUG IN MOUNTING STYLE**  
 Front panel mounting instrument withdraws from housing to facilitate easy service and maintenance
- ECONOMICAL**

STANDARD SPECIFICATIONS	
Setpoint accuracy Indication accuracy	0.5% FS 0.5% FS
Control action	PID control (with Fuzzy Logic Option) P = 0~200%      Off when set to 0 I = 0~3600 secs      Off when set to 0 D = 0~900 secs      Off when set to 0
Control output	SPST Relay 3A / 250 V AC 0/12 V for SSR 4~20 mA DC (Max. 800 Ohm load)
Alarm	SPST Relay 3A / 250 V AC
Retransmission output	uTC-92 only 4~20 mA DC
Input	Refer to Model Codes
Sensor break action	Up scale as standard (Downscale available as option for thermocouple input units)
Remote set point input	uTC-92 only 4~20 mA DC
Ambient temperature operating range Ambient humidity operating range	0~50°C  10~90% RH
Supply voltage  Power consumption	85 V ~ 265 V AC (50 or 60 Hz selectable) < 5 VA
Dimensions Weight	Refer to table on page 4 300 g

MODEL NUMBER CODE		
MODEL	SUFFIX	DESCRIPTION
uTC-52	<input type="checkbox"/> <input type="checkbox"/> <input type="checkbox"/> <input type="checkbox"/> <input type="checkbox"/> <input type="checkbox"/>	48 x 48 mm 1/16 Din
uTC-42	<input type="checkbox"/> <input type="checkbox"/> <input type="checkbox"/> <input type="checkbox"/> <input type="checkbox"/> <input type="checkbox"/>	48 x 96 mm 1/8 Din
uTC-92	<input type="checkbox"/> <input type="checkbox"/> <input type="checkbox"/> <input type="checkbox"/> <input type="checkbox"/> <input type="checkbox"/>	96 x 96 mm 1/4 Din
DISPLAY	F	Full scale indicating
CONTROL ACTION	P  W	PID Control fully selectable with auto-tune / Fuzzy Logic Heat / Cool with PID
ALARMS	2 3 4	Single alarm fitted as standard Two alarm relays Three alarm relays
INPUT OPTIONS	J K R S T P 5 8	Thermocouple type J Thermocouple type K Thermocouple type R Thermocouple type S Thermocouple type T RTD Pt100 3 wire system IEC 751 0~10 V DC 4~20 mA DC Other inputs are available - enquire at your local sales office
CONTROL OUTPUT	-R -V -8	Relay Output 1A / 250 V Resistive load 0 / 12 V DC pulse for SSR 4~20 mA DC (max load 800 Ohm)
Options uTC-92 Only	-RTX -RSP	Retransmission      4~20 mA DC Remote set point      4~20 mA DC